

Confocal Dish

Description

35mm culture dish with 15mm glass bottom, Sterile

Purpose

Suitable for fluorescent microscope experiment, confocal microscopy and phase-contrast microscopic experiment, etc

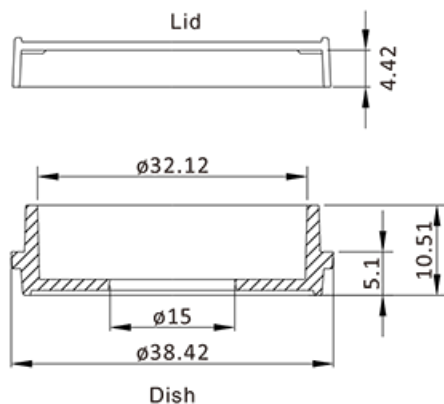
Materials

Dish: GPPS (General Polystyrene)

Glass bottom: D263 M Borosilicate glass



Dimensions (Unit: mm)



Features

- Glass bottom diameter of 15mm
- Glass thickness: 0.16 mm
- Borosilicate glasses is with high homogeneity, low bubble and inclusion content
- Medical grade shadowless glue, highly transparent achromatic
- Suitable for all living cells' examinations
- Dish surface is smooth and free from striation to maximize usable area for growth
- The rim on upper side of the lid mates with the dish brim for easy and secure stack
- Flat bottom uniform wall thickness ensures distortion-free bottom
- Lids with several little chimbs to shape vents are available for very effective gas exchange
- DNase/RNase free and Non-pyrogenic
- Sterilized by irradiation SAL10⁻⁶ (ISO11137)
- Shelf Life: 3 years after month of production
- Manufactured in a class 100,000 room environment
- Manufactured under ISO13485 and ISO9001 quality management system



STERILE R

Confocal Dish

Cat. No.	Glass Diameter	Surface Type	Sterilization	Qty/Pk	Qty/Case
BDD001035	15 mm	Non-Treated	Yes	10	240
BDD011035	15 mm	Surface Treated	Yes	10	240

Confocal Dish

Description

35mm culture dish with 20mm glass bottom, Sterile

Purpose

Suitable for fluorescent microscope experiment, confocal microscopy and phase-contrast microscopic experiment, etc

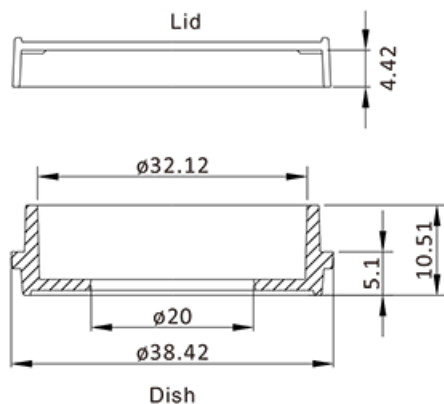
Materials

Dish: GPPS (General Polystyrene)

Glass bottom: D263 M Borosilicate glass



Dimensions (Unit: mm)



Features

- Glass bottom diameter of 20mm
- Glass thickness: 0.16 mm
- Borosilicate glasses is with high homogeneity, low bubble and inclusion content
- Medical grade shadowless glue, highly transparent achromatic
- Suitable for all living cells' examinations
- Dish surface is smooth and free from striation to maximize usable area for growth
- The rim on upper side of the lid mates with the dish brim for easy and secure stack
- Flat bottom uniform wall thickness ensures distortion-free bottom
- Lids with several little chimbs to shape vents are available for very effective gas exchange
- DNase/RNase free and Non-pyrogenic
- Sterilized by irradiation SAL10⁻⁶ (ISO11137)
- Shelf Life: 3 years after month of production
- Manufactured in a class 100,000 room environment
- Manufactured under ISO13485 and ISO9001 quality management system



STERILE R

Confocal Dish

Cat. No.	Glass Diameter	Surface Type	Sterilization	Qty/Pk	Qty/Case
BDD002035	20 mm	Non-Treated	Yes	10	240
BDD012035	20 mm	Surface Treated	Yes	10	240